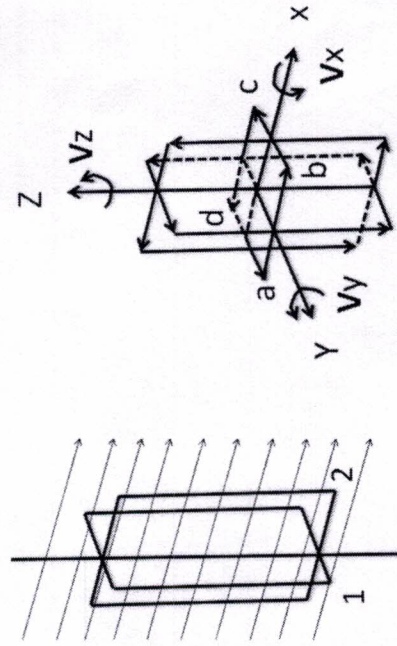


# Mathematical Methods in Physics

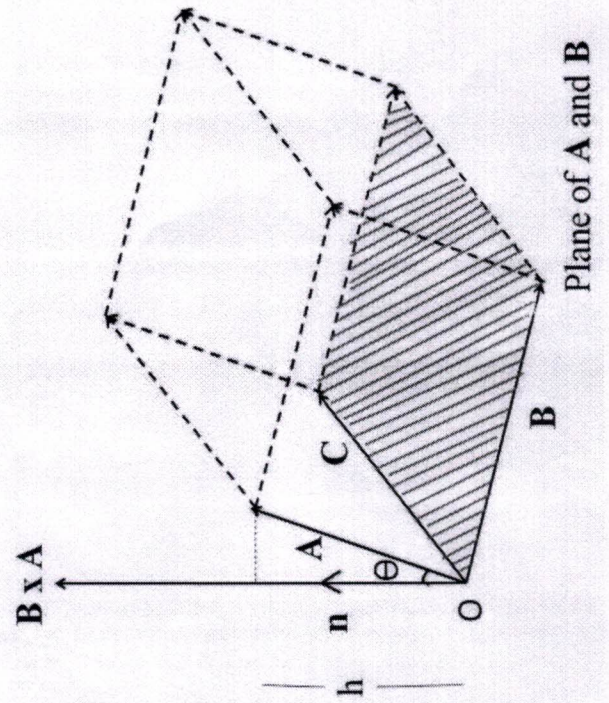
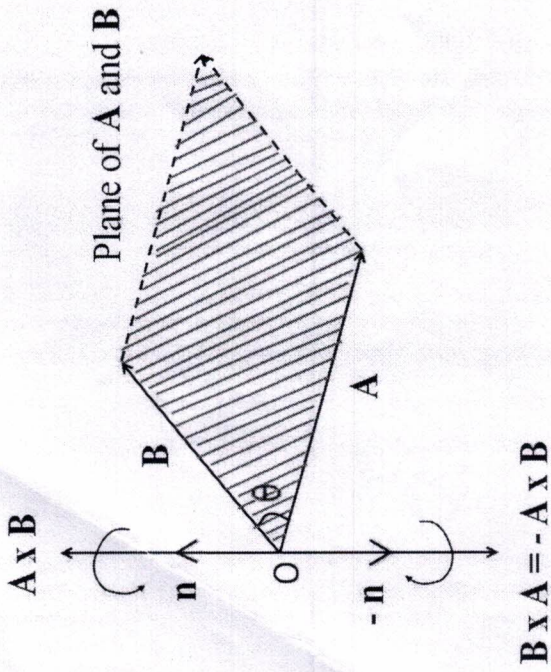
Dr. Shendkar J. H.



Anuradha Publication,  
Nanded

Mathematical Methods in Physics

Dr. Shendkar J. H.



## PREFACE

This edition of the book is published on the newly revised syllabus in Physics for B. Sc. First Year students of S. R. T. M. University Nanded, Maharashtra.

This book titled 'Mathematical Methods in Physics' covers all four chapters mentioned in syllabus of University, namely Complex Variables, Vector Analysis, Partial Differentiation and Fourier Series. The fundamental objective of this book is to present the concepts in a clear and more interesting manner by keeping the mathematics as simple as possible and to present the concepts and techniques through clear diagram.

Dr. Shendkar J. H.

# Mathematical Methods in Physics

By Dr. Shendkar J. H.

- © **Dr. Shendkar J. H.**  
Head, Department of Physics,  
Arts, Commerce and Science College,  
Gangakhed-431514 Dist. Parbhani (M.S.)  
Mob.7588117801
- **Edition**  
15<sup>th</sup> August 2019
- **Publication:**  
Anuradha Publication, Datta nagar, Cidco,  
Nanded-431603  
Mob.: 9923677611, 7559339227
- **ISBN Number:**  
978 – 93 – 82995 – 70 - 8
- **Type Setting:**  
Dr. Shendkar J. H.
- **M.R.P.:**  
Rs. 120/-

# Mathematical Methods in Physics

**Dr. Shendkar J. H.**

Head, Department of Physics,  
Arts, Commerce and Science College,  
Gangakhed-431514 Dist. Parbhani (M.S.)



**Publication:**

Anuradha Publication, Datta Nagar, Cidco, Nanded-431603  
Mob.: 9923677611, 7559339227